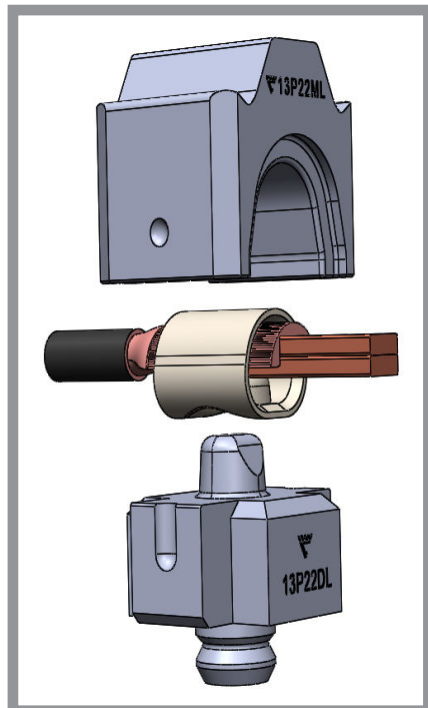
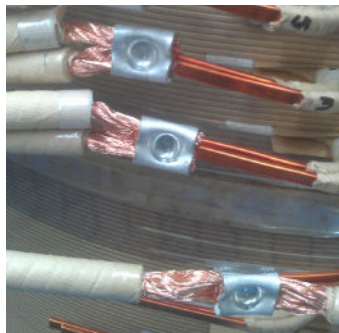


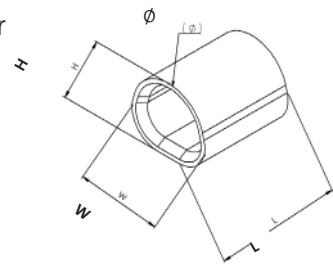
Transformer System

Parallel through connectors 50 -0240 mm², KS-PL



Parallel copper through connectors for transitions between winding- and flexible conductors. Designed for optimal suitability with special sleeves.

- Wide working range 34-280 mm²
- Fast and easygoing crimp work for manufacturing of copper transformers
- Tools designed for the V1300 crimp head
- Rounding is not needed
- High current and temperature tested
- Only one crimp, no matter the size



Cat. name	Flexible conductor, mm ²	Winding conductor, mm ²	Working range, mm ²	Cat. name crimp Matrix/Die
KS50PL	25	9-30	34-55	13P14.5ML/DL
KS70PL	35	31-52	66-87	13P17ML/DL
KS95PL	50	38-62	88-112	13P20ML/DL
KS120PL	50	63-90	113-140	13P22ML/DL
KS120PL	70	43-70	113-140	13P22ML/DL
KS150PL	70	71-105	141-175	13P25ML/DL
KS185PL	95	81-120	176-215	13P27ML/DL
KS240PL	120	96-160	216-280	13P30ML/DL

KS-PL parallel connectors 50-240 mm²

Cat. name	L	W	H	Ø
KS50PL	30	15,2	12,5	14,5
KS70PL	30	17,7	15,0	17,0
KS95PL	30	21,1	18,0	20,0
KS120PL	32	22,7	20,0	22,0
KS150PL	34	25,4	23,0	25,0
KS185PL	36	27,4	25,0	27,0
KS240PL	38	30,7	28,0	30,0

