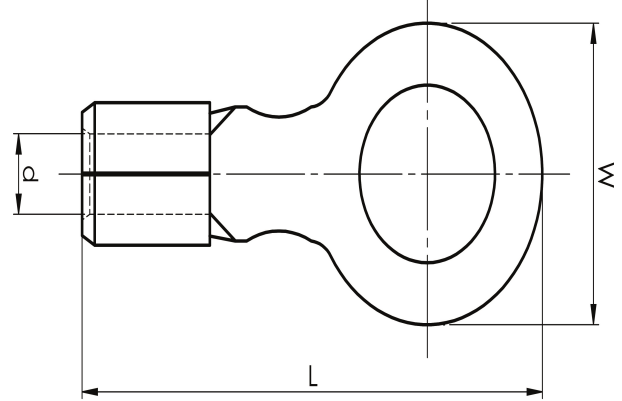


Ring terminal 0.25 - 6 mm²

B0832R



Item number: **7258-260100**

EAN: **7393487003781**

W (mm): **5.5**

d (mm): **1.3**

L (mm): **13**

t (mm) - palm thickness: **0.5**

s (mm) - strip length: **7**

Screw: **M3**

Neck type: **Brazed**

AWG/MCM Cu: **24 - 18 AWG**

mm² Cu: **0,25-0,75**