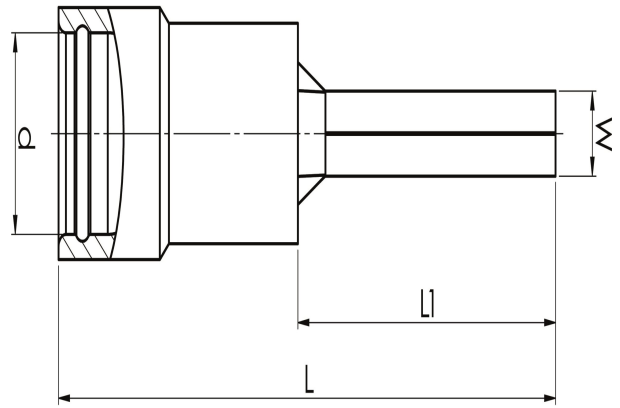


Pin terminals 0.1 - 6 mm²

A2519SRK

- ✓ Material: Cu 99.95%, tin plated Cu/Sn, brazed neck.
- ✓ Insulation halogen-free PC, Easy-entry.

Pre-insulated pin terminal for 1.5-2.5 mm² cable.
Used with certified tool GSA0760.



Item number: **7278-254700**
EAN: **7393487004283**

W (mm): **1.9**
d (mm): **4.5**
L1 (mm): **8.5**
L (mm): **18.5**
s (mm) - strip length: **8**

Insulation material: **PC**
Insulation colour: **Blue (insulated terminals)**
Material: **Cu, Cu/Sn**
Easy-entry: **Yes**

AWG/MCM Cu: **16 - 14 AWG**
mm² Cu: **1,5-2,5**