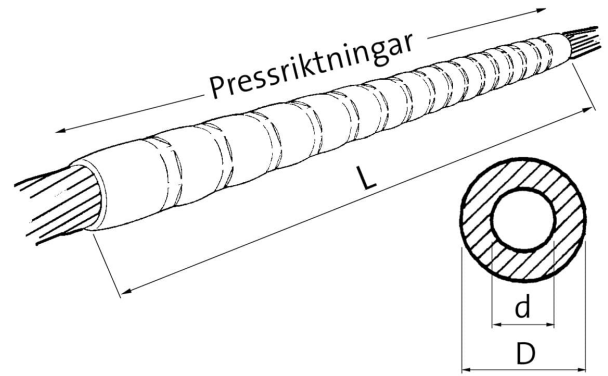


Overhead line connectors 31 - 241 mm² for AlMgSi
(Super B) and Al59

LFS62

- ✓ material aluminium
- ✓ for splicing overhead lines
- ✓ meets the requirements of SS 424 1241
- ✓ the connector tube is supplied with contact paste on the inside
- ✓ the conductor must be cleaned



Overhead line connector for AlMgSi (super B) and Al59, 62 mm². Used with Elpress certified systems V600, V1300 or V250.



Item number: **7315-002200**
EAN: **7393487012837**

d (mm): **11**
D (mm): **16**
L (mm): **200**

Number of crimps: **10**
Marking: **LFS62 16 ALMGSi XXXX AL-59**

mm² Cu: **62**