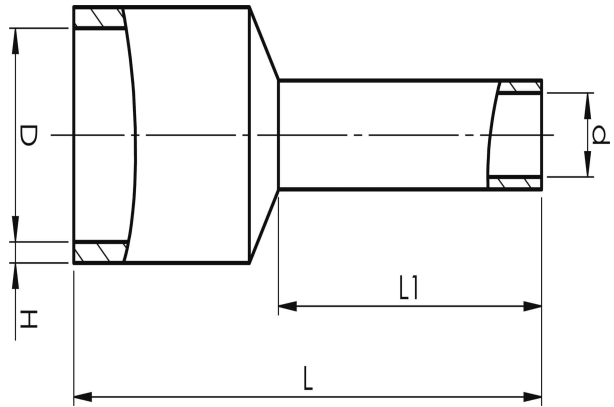
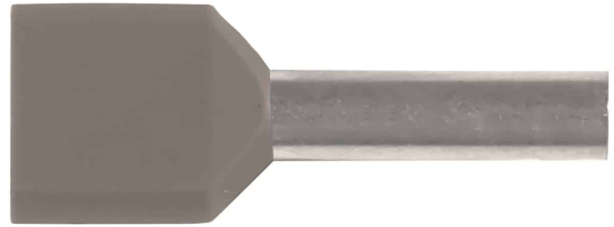


Pre-insulated TWIN-end terminals 2 x 0.5 - 2 x 10 mm², ETW2, alternative colour code

A4-12ETW2

- ✓ Material: Cu 99.95%, tin plated Cu/Sn, CSA approved.
- ✓ Polypropylene insulation, colour code W.

Pre-insulated TWIN end terminal ETW2, 4 mm².
Used with certified tool GEB4010C-TWIN, EEB0160, or PEB0110T.



Item number: **7287-039100**

EAN: **7393487046351**

H (mm): **4.9**

d (mm): **3.8**

D (mm): **8,6**

L1 (mm): **12**

L (mm): **23**

s (mm) - strip length: **14**

Working temperature, Min (°C): **-5**

Working temperature, Max (°C): **105**

Insulation material: **PP**

Insulation colour: **Grey (end sleeves)**

Material: **Cu, Cu/Sn**

AWG/MCM Cu: **2x12 AWG**

mm² Cu: **2 x 4**