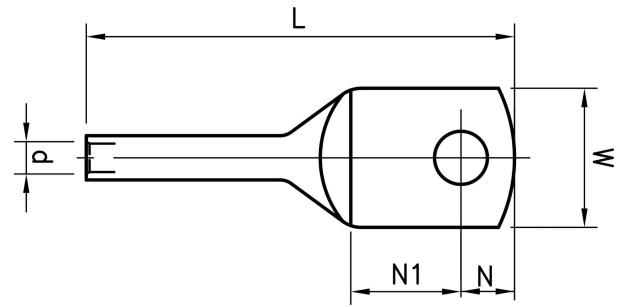


KRX tube terminals for Excel and Fxcel cable 10 - 16 mm²

KRX16-10

- ✓ Material: Cu 99.95%, tin plated Cu/Sn.
- ✓ Mounted pull-strain relieved.



Uninsulated tube terminal for Cu conductors 16 mm² stranded (Fxcel) with an M10 hole in the palm.
Used with Elpress certified systems V600, V1300, V250.



Item number: **7301-111900**

EAN: **7393487035546**

W (mm): **16**

N (mm): **11.5**

N1 (mm): **18.5**

P (mm): **30**

d (mm): **5.5**

D (mm): **8,5**

L (mm): **65**

t (mm) - palm thickness: **2.2**

s (mm) - strip length: **30**

Screw: **M10**

AWG/MCM Cu: **6 AWG**

mm² Cu: **16**