

KRT tube terminals 10 - 500 mm<sup>2</sup>

# KRT240-12

- ✓ Material: Cu 99.95%, tin plated Cu/Sn.
- ✓ Inspection hole.
- ✓ For stranded (class 2) Cu conductors.

## Example of marking KRT: 16 (neck) Elpress logotype 70 10 (palm)

16 = Die No. 70 = mm<sup>2</sup> 10 = palm hole for M10  
Tube terminal type KRT for stranded (class 2) Cu  
conductors, 240 mm<sup>2</sup>, with an M12 hole in the palm.  
Used with Elpress certified systems V600, V1300 or  
V250.



Item number: **7301-279000**

EAN: **7393487007758**

W (mm): **38**

N (mm): **15**

N1 (mm): **16**

P (mm): **31**

d (mm): **21**

D (mm): **26**

L (mm): **86**

t (mm) - palm thickness: **4.9**

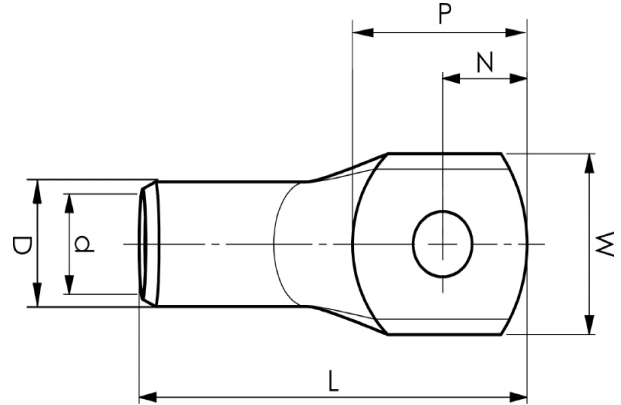
s (mm) - strip length: **37**

Screw: **M12**

Inspection hole: **Yes**

AWG/MCM Cu: **450 MCM**

mm<sup>2</sup> Cu: **240**



**ELPRESS**