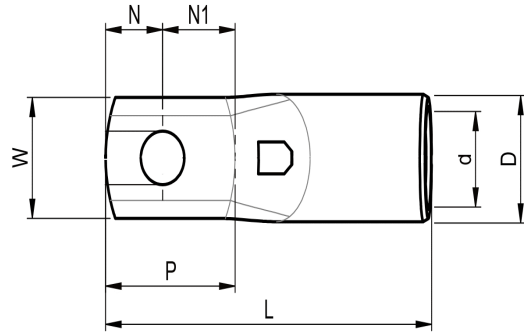


KRFS tube terminals 50 - 400 mm² with narrow palm

KRFS50-6

- ✓ Material: Cu 99.95%, tin plated Cu/Sn.
- ✓ Inspection hole
- ✓ For stranded (class 2) and multi-stranded (class 5) Cu conductors, for multi-stranded Cu conductors contact crimping using the Dual system is recommended.
- ✓ Easy to install via cable gland, allows for pre-installation.
- ✓ The width of the palm is less than or as wide as the neck.



Example of marking KRFS: 17 (neck) Elpress logotype 70 10F (palm)

17 = Die no. 70 = mm² 10 = palm hole for M10 F = type KRF for stranded and flexible conductors.

Tube terminal with narrow palm for multi-stranded (class 5) and stranded (class 2) Cu conductors (acc. to IEC 60228), 50 mm², with an M6 hole in the palm.

Used with Elpress certified systems V600, V1300, V250.



Item number: **7301-290300**

EAN: **7393487061941**

W (mm): **15**

N (mm): **11**

P (mm): **22.5**

f (mm): **1.25**

d (mm): **11**

D (mm): **14,5**

L (mm): **51**

t (mm) - palm thickness: **4**

s (mm) - strip length: **19**

Screw: **M6**

Inspection hole: **Yes**

AWG/MCM Cu: **1/0 AWG**

mm² Cu: **50**