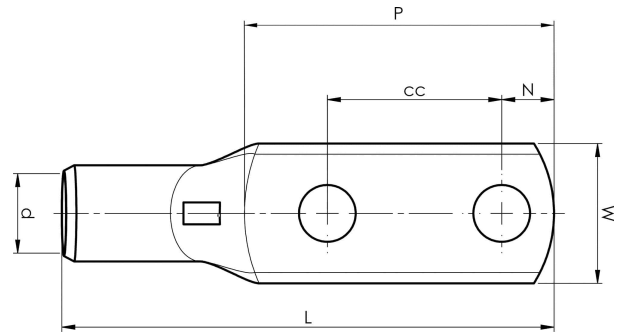


KRF tube terminals with two holes

KRF50-10X2- 40



- ✓ Material: Cu 99.95%, tin plated Cu/Sn.
- ✓ Inspection hole.
- ✓ For stranded (class 2) and multi-stranded (class 5) Cu conductors, for multi-stranded Cu conductors contact crimping using the Dual system is recommended.
- ✓ UL-approved.

Example of marking KRF: 17 (neck) Elpress logotype 70 10F (palm)

17 = Die No. 70 = mm² 10 = palm hole for M10 F = type KRF for stranded and flexible conductors.
2 holed tube terminal for multi-stranded (class 5) and stranded (class 2) Cu-conductors (acc. to IEC 60228), 50 mm², with two M10 holes in the palm.
Used with Elpress certified systems V600, V1300 or V250.



Item number: **7301-493500**
EAN: **7393487076709**

W (mm): **21**
N (mm): **11**
N1 (mm): **19**
P (mm): **70**
cc (mm): **40**
f (mm): **1**
d (mm): **11**
D (mm): **14,5**
L (mm): **100**
t (mm) - palm thickness: **3.3**
s (mm) - strip length: **19**

Screw: **M10x2**
Inspection hole: **Yes**

AWG/MCM Cu: **1/0 AWG**
mm² Cu: **50**

ELPRESS