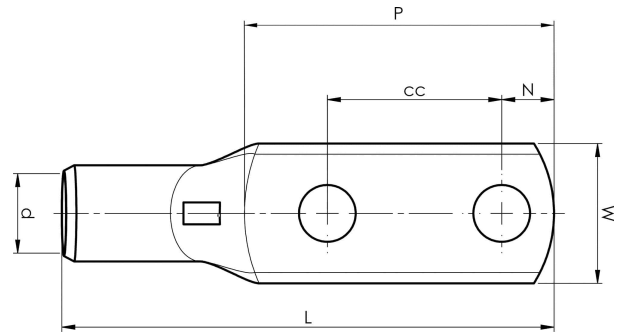


KRF tube terminals with two holes

KRF400A- 12X2-40



- ✓ Material: Cu 99.95%, tin plated Cu/Sn.
- ✓ Inspection hole.
- ✓ For stranded (class 2) and multi-stranded (class 5) Cu conductors, for multi-stranded Cu conductors contact crimping using the Dual system is recommended.
- ✓ UL-approved, DNV approved.

Example of marking KRF: 17 (neck) Elpress logotype 70 10F (palm)

17 = Die no. 70 = mm² 10 = palm hole for M10 F = type KRF for stranded and flexible conductors. 2 hole terminal for multi stranded (class 5) and stranded (class 2) Cu-conductors (acc. to IEC 60228), 400 mm², with two M12 holes in the palm. Used with Elpress certified systems V1300 or V250.



Item number: **7301-241000**
EAN: **7393487063044**

W (mm): **56**
N (mm): **12**
N1 (mm): **23**
P (mm): **75**
cc (mm): **40**
f (mm): **2**
d (mm): **30**
D (mm): **38**
L (mm): **145**
t (mm) - palm thickness: **7.8**
s (mm) - strip length: **52**

Screw: **M12x2**
Inspection hole: **Yes**

AWG/MCM Cu: **700 MCM**
mm² Cu: **400**

ELPRESS