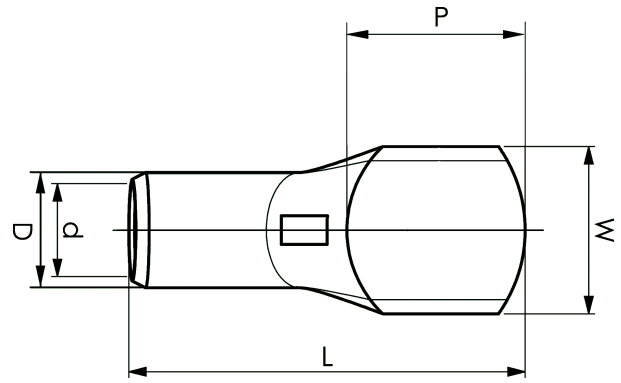


KRF tube terminals 16 - 800 mm²

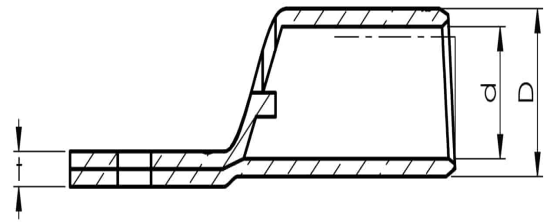
KRF800-00

- ✓ Material: Cu 99.95%, tin plated Cu/Sn.
- ✓ With inspection holes.
- ✓ For stranded (class 2), multi-stranded (class 5) and very flexible (class 6) Cu conductors according to IEC 60228.



Example of marking KRF: 17 (neck) Elpress logotype 70 10F (palm)

17 = Die No. 70 = mm² 10 = palm hole for M10 F = type KRF for stranded, flexible and very flexible conductors.



Item number: **7301-233400**

EAN: **7393487019768**

W (mm): **75**

P (mm): **80**

f (mm): **2**

d (mm): **42.5**

D (mm): **53**

L (mm): **195**

t (mm) - palm thickness: **13.8**

s (mm) - strip length: **80**

Inspection hole: **Yes**

AWG/MCM Cu: **1500 MCM**

mm² Cu: **800**

ELPRESS