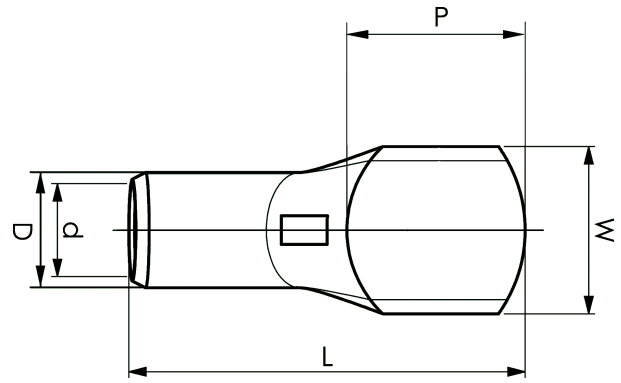


KRF tube terminals 16 - 800 mm²

KRF630-00

- ✓ Material: Cu 99.95%, tin plated Cu/Sn.
- ✓ With inspection holes.
- ✓ For stranded (class 2), multi-stranded (class 5) and very flexible (class 6) Cu conductors according to IEC 60228.



Example of marking KRF: 17 (neck) Elpress logotype 70 10F (palm)

17 = Die No. 70 = mm² 10 = palm hole for M10 F = type KRF for stranded, flexible and very flexible conductors.



Item number: **7301-232200**
EAN: **7393487006522**

W (mm): **75**
P (mm): **80**
f (mm): **2**
d (mm): **39**
D (mm): **53**
L (mm): **195**
t (mm) - palm thickness: **13.8**
s (mm) - strip length: **80**

Inspection hole: **Yes**

AWG/MCM Cu: **1250 MCM**
mm² Cu: **630**

