

KRF angled terminals 90°, 10 - 185 mm<sup>2</sup>

# KRF120-8- 90GR

- ✓ Material: Cu 99.95%, tin plated Cu/Sn.
- ✓ Inspection hole.
- ✓ For stranded (class 2) and multi-stranded (class 5) Cu conductors, for multi-stranded Cu conductors contact crimping using the Dual system is recommended.
- ✓ UL-approved, DNV approved.

## Example of marking KRF: 17 (neck) Elpress logo 70 10F (palm)

17 = Die No. 70 = mm<sup>2</sup> 10 = palm hole for M10 F = type KRF for stranded and flexible conductors.

Angled tube terminal 90° for multi-stranded (class 5) and stranded (class 2) Cu conductors (acc. to IEC 60228), 120 mm<sup>2</sup>, with an M8 hole in the palm.

Used with Elpress certified systems V600, V1300, V250.

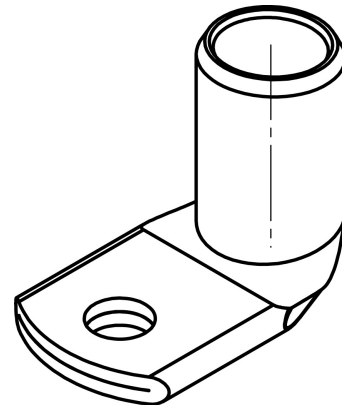
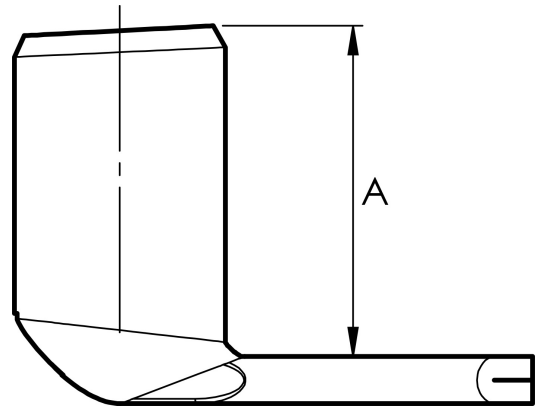
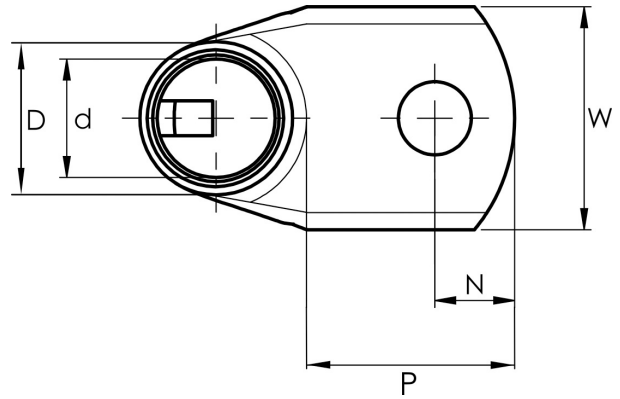


Item number: **7301-547800**  
EAN: **7393487089570**

A (mm): **42**  
W (mm): **32**  
N (mm): **8.5**  
N1 (mm): **17.5**  
P (mm): **26**  
d (mm): **17**  
D (mm): **22**  
t (mm) - palm thickness: **4.9**  
s (mm) - strip length: **27**

Screw: **M8**  
Angle (°): **90**  
Inspection hole: **Yes**

AWG/MCM Cu: **4/0 AWG**  
mm<sup>2</sup> Cu: **120**



**ELPRESS**