

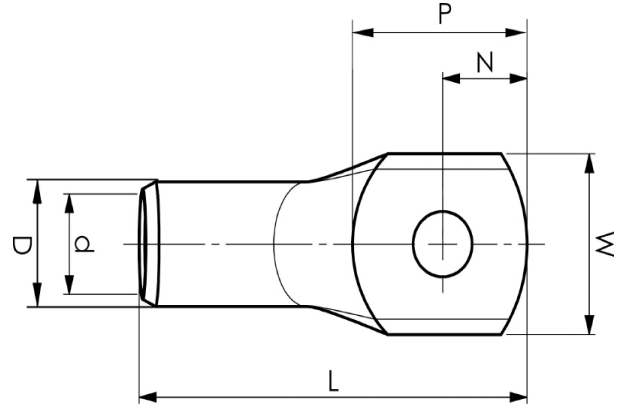
KRD tube terminals 16 - 1000 mm²

KRD300-16

- ✓ Material: Cu 99.95%, tin plated Cu/Sn.
- ✓ Inspection hole.
- ✓ For stranded (class 2) Cu conductors.

Example of marking KRD: 14 (neck) Elpress logotype 70 10 (palm)

14 = Die No. 70 = mm² 10 = palm hole for M10
Tube terminal type KRD for stranded (class 2) Cu
conductors, 300 mm², with an M16 hole in the palm.
Used with Elpress certified systems V1300 or V250.



Item number: **7301-103600**

EAN: **7393487006942**

W (mm): **44**

N (mm): **19**

N1 (mm): **19**

P (mm): **38**

f (mm): **1**

d (mm): **24**

D (mm): **30**

L (mm): **100**

t (mm) - palm thickness: **5.8**

s (mm) - strip length: **42**

Screw: **M16**

Inspection hole: **Yes**

AWG/MCM Cu: **550 MCM**

mm² Cu: **300**

ELPRESS