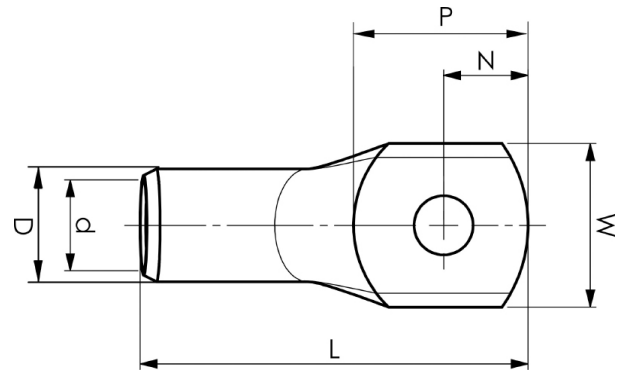


KRD tube terminals 16 - 1000 mm²

KRD16-10

- ✓ Material: Cu 99.95%, tin plated Cu/Sn.
- ✓ Inspection hole.
- ✓ For stranded (class 2) Cu conductors.



Example of marking KRD: 14 (neck) Elpress logotype 70 10 (palm)

14 = Die No. 70 = mm² 10 = palm hole for M10

Tube terminal type KRD for stranded (class 2) Cu
conductors, 16 mm², with an M10 hole in the palm.

Used with Elpress certified systems V600, V1300 or
V250.



Item number: **7301-100400**

EAN: **7393487006669**

W (mm): **16**

N (mm): **8**

N1 (mm): **10**

P (mm): **18**

f (mm): **1**

d (mm): **5.4**

D (mm): **8**

L (mm): **34**

t (mm) - palm thickness: **1.8**

s (mm) - strip length: **10**

Screw: **M10**

Inspection hole: **Yes**

AWG/MCM Cu: **6 AWG**

mm² Cu: **16**