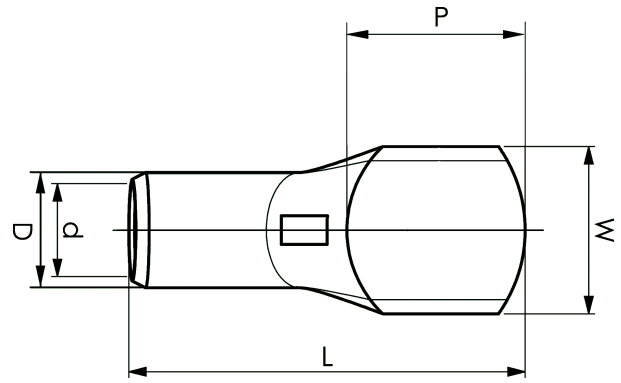


KRD tube terminals 16 - 1000 mm<sup>2</sup>

# KRD1000-00

- ✓ Material: Cu 99.95%, tin plated Cu/Sn.
- ✓ Inspection hole.
- ✓ For stranded (class 2) Cu conductors.



## Example of marking KRD: 14 (neck) Elpress logotype 70 10 (palm)

14 = Die No. 70 = mm<sup>2</sup> 10 = palm hole for M10  
Tube terminal type KRD for stranded (class 2) Cu  
conductors, 1000 mm<sup>2</sup>, without a hole in the palm.  
Used with Elpress certified systems V1470.



Item number: **7301-109800**

EAN: **7393487024281**

W (mm): **80**

P (mm): **80**

f (mm): **2**

d (mm): **43**

D (mm): **56**

L (mm): **195**

t (mm) - palm thickness: **12.8**

s (mm) - strip length: **80**

Inspection hole: **Yes**

AWG/MCM Cu: **2000 MCM**

mm<sup>2</sup> Cu: **1000**