

DIN 46235 tube terminals 6-400 mm²

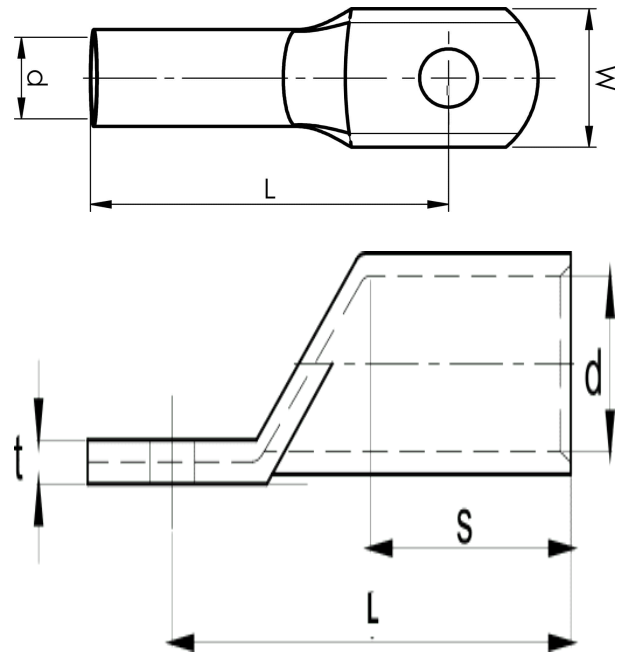
KR185-16DIN

- ✓ Material: Cu 99.95%, tin plated Cu/Sn.
- ✓ Dimensions according to DIN 46235, the number of crimps is indicated on the neck of the terminal.

Example of palm marking: 70 10

70 = mm² 10 = palm hole for M10

Tube terminal for multi-stranded (class 5) and stranded (class 2) Cu conductors (acc. to IEC 60228), 185 mm², with an M16 hole in the palm.
Used with Elpress certified systems V1300, V250.



Item number: **7301-091300**

EAN: **7393487015098**

W (mm): **37**

N (mm): **17**

N1 (mm): **20**

P (mm): **37**

d (mm): **19**

D (mm): **25.5**

L (mm): **82**

s (mm) - strip length: **42**

Screw: **M16**

Inspection hole: **Yes**

AWG/MCM Cu: **350 MCM**

mm² Cu: **185**