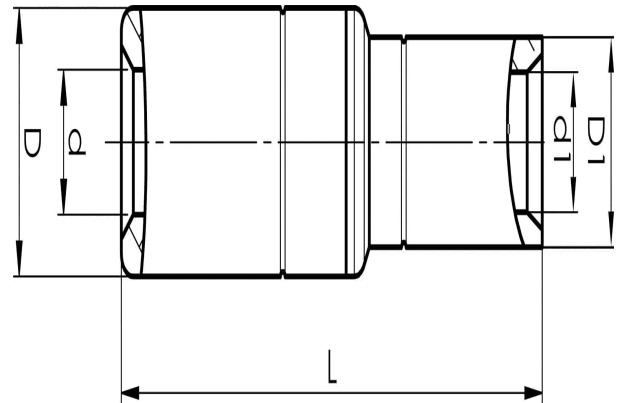


Aluminium-copper through connectors 16 - 500
mm²

AKS185-95

- ✓ Connector from Al conductor to Cu conductor.
- ✓ Stranded/solid Al conductors, stranded/multi-stranded Cu conductors.
- ✓ For multi-stranded Cu conductors, contact crimping using the Dual system is recommended.
- ✓ Two crimps are required for Al, normally one for Cu.

AlCu through connector, from Al conductor to Cu conductor. For stranded Al cable 185 mm², or for solid Al cable 240 mm², to stranded/multi-stranded Cu cable 95 mm². When crimping the Cu section, place the dies between the mark on the sleeve and the edge of the Cu section. Used with Elpress certified systems V1300, V250.



Item number: **7333-402600**

EAN: **7393487009936**

s1 (mm): **25**

d (mm): **17.6**

D (mm): **32**

L (mm): **93.5**

d1 (mm): **15**

D1 (mm): **20**

s (mm) - strip length: **61**

AWG/MCM Stranded Al: **350 MCM**

AWG/MCM Solid Al: **500**

AWG/MCM Cu: **4/0 AWG**

mm² Stranded Al: **185**

mm² Solid Al: **240**

mm² Cu: **95**

Screen conductor (mm²): **111**