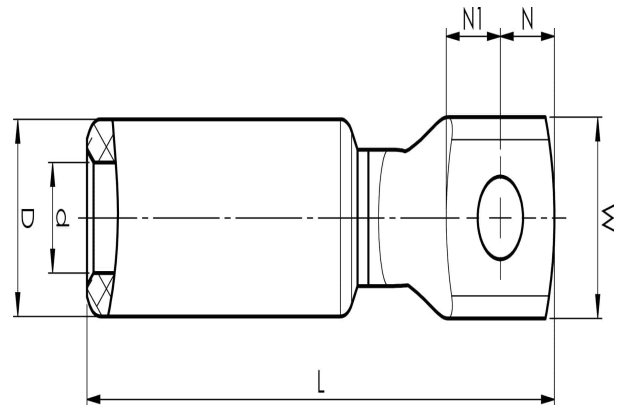


Aluminium-copper terminals 16 - 1200 mm²

AKK400B-12

- ✓ Used for connection of Al conductors for apparatus outlets and busbars of Cu, etc.
- ✓ Two crimps are needed.

AlCu terminal for stranded Al cable 400 mm², with an M12 hole in the palm. Used with Elpress certified system V1300.



Item number: **7331-457300**

EAN: **7393487047372**

W (mm): **37**

N (mm): **18.5**

N1 (mm): **18.5**

P (mm): **37**

d (mm): **25**

D (mm): **37**

L (mm): **139**

t (mm) - palm thickness: **6.7**

s (mm) - strip length: **68**

Screw: **M12**

AWG/MCM Stranded Al: **700 MCM**

mm² Stranded Al: **400**