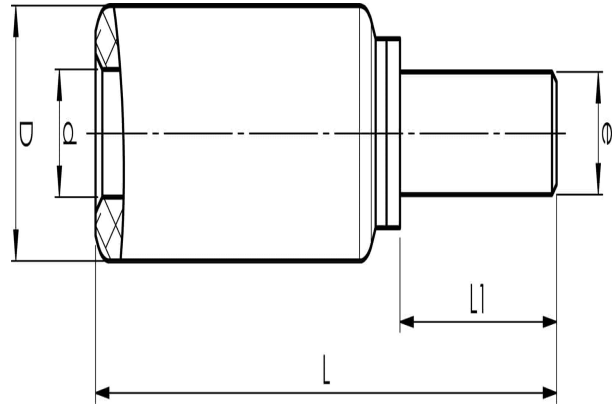


Aluminium-copper pin sockets 16 - 300 mm<sup>2</sup>

# AKP150

- ✓ Used for connection of Al conductors to apparatus with copper connectors.
- ✓ Two crimps are needed.

AlCu pin terminal for stranded Al cable 150 mm<sup>2</sup>, or for solid Al cable 185 mm<sup>2</sup>. Used with Elpress certified systems V1300, V250.



Item number: **7337-400900**

EAN: **7393487010307**

e (mm): **12**

d (mm): **15.8**

D (mm): **25**

L (mm): **108**

s (mm) - strip length: **60**

AWG/MCM Stranded Al: **300 MCM**

AWG/MCM Solid Al: **350 MCM**

mm<sup>2</sup> Stranded Al: **150**

mm<sup>2</sup> Solid Al: **185**