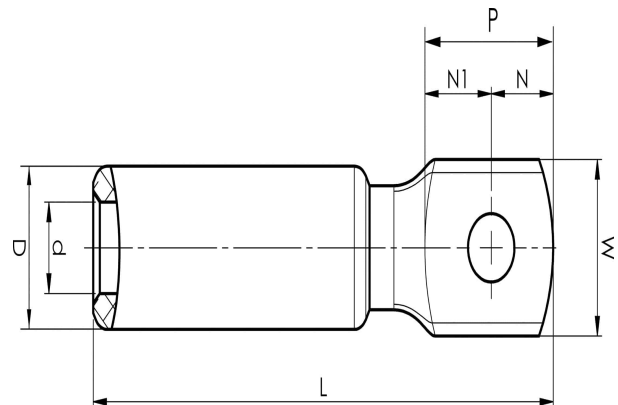


Aluminium terminals 16 - 1200 mm²

AK35-8

- ✓ Used for connecting Al conductors to Al busbar.
- ✓ Two crimps are needed.

Al terminal for stranded Al cable 35 mm², or for solid Al cable 50 mm² with an M8 hole in the palm.
Used with Elpress certified systems V1300 or V250.



Item number: **7311-401000**
EAN: **7393487008755**

W (mm): **22**
N (mm): **11**
N1 (mm): **14**
P (mm): **25**
d (mm): **8.5**
D (mm): **20**
L (mm): **85**
t (mm) - palm thickness: **7.5**
s (mm) - strip length: **45**

Screw: **M8**

AWG/MCM Stranded Al: **2 AWG**
AWG/MCM Solid Al: **1/0 AWG**
mm² Stranded Al: **35**
mm² Solid Al: **50**