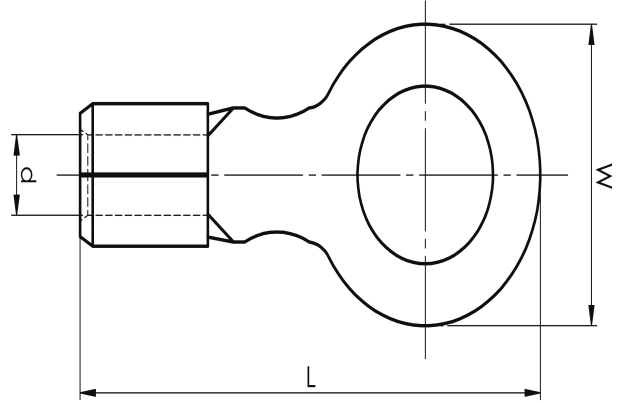


Ring terminal 0.25 - 6 mm<sup>2</sup>

# B4610R



Item number: **7258-262500**

EAN: **7393487003934**

W (mm): **17**

d (mm): **3.4**

L (mm): **27.5**

t (mm) - palm thickness: **1**

s (mm) - strip length: **9**

Screw: **M10**

Neck type: **Brazed**

AWG/MCM Cu: **12 - 10 AWG**

mm<sup>2</sup> Cu: **4-6**