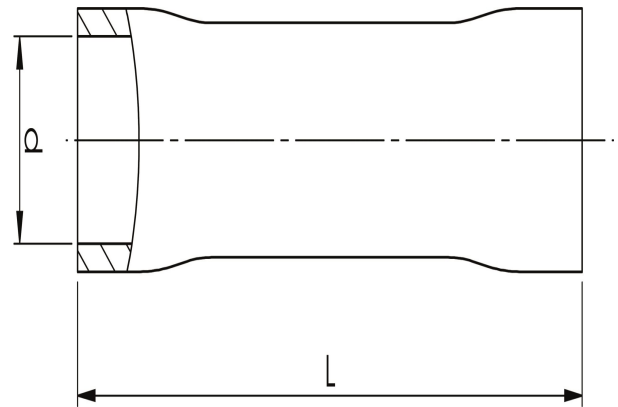


Through connectors with heat shrink insulation 0.5 - 6 mm²

A4650SKW

- ✓ Material: Cu 99.95%, tin plated Cu/Sn, contact sleeve of Cu pipe.
- ✓ Insulation halogen-free PA, hot melt adhesive inside the isolation.

Insulated heat shrink connector with hot melt adhesive for 4-6 mm² cable. Used with certified tool GSW0560C.



Item number: **7288-228700**

EAN: **7393487004795**

d (mm): **6.5**

L (mm): **37.5**

s (mm) - strip length: **9**

Insulation material: **PA**

AWG/MCM Cu: **12 - 10 AWG**

mm² Cu: **4-6**