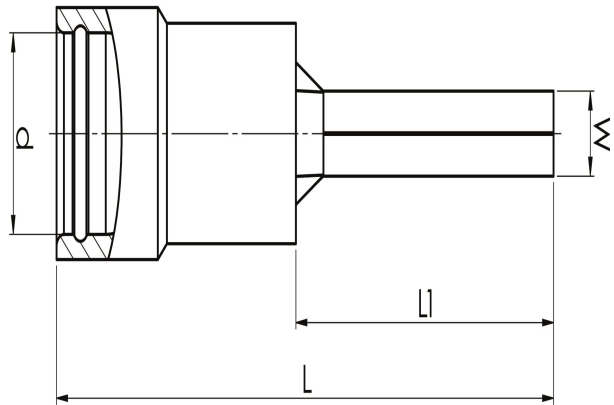
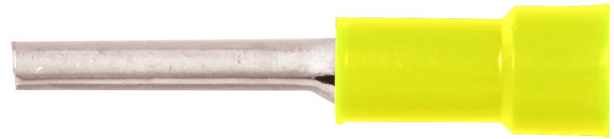


Pin terminals 0.1 - 6 mm²

A0514SR

- ✓ Material: Cu 99.95%, tin plated Cu/Sn, brazed neck.
- ✓ Insulation halogen-free PA, not Easy-entry.

Pre-insulated pin terminal for 0.1-0.5 mm² cable.
Used with certified tool DSA0115.



Item number: **7278-051400**
EAN: **7393487014572**

W (mm): **1.2**
d (mm): **2.2**
L1 (mm): **8**
L (mm): **18**
s (mm) - strip length: **6**

Insulation material: **PA**
Insulation colour: **Light yellow (insulated terminals)**
Material: **Cu, Cu/Sn**

AWG/MCM Cu: **26 - 20 AWG**
mm² Cu: **0,1-0,5**