

Uninsulated end terminals 0.25 - 50 mm²

B2,5-7ET

- ✓ Material: Cu 99.95%, tin plated Cu/Sn,
dimensions according to DIN46228, CSA
approved.



Uninsulated end terminal, 2.5 mm². Used with
certified tool PEB0110T.



Item number: **7304-005500**

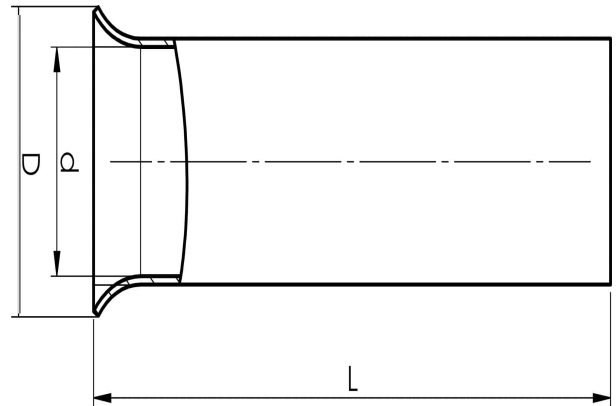
EAN: **7393487013438**

d (mm): **2.2**

D (mm): **3,4**

L (mm): **7**

s (mm) - strip length: **7**



Working temperature, Min (°C): **-5**

Working temperature, Max (°C): **105**

Material: **Cu, Cu/Sn**

Measures acc DIN46228: **Yes**

AWG/MCM Cu: **14 AWG**

mm² Cu: **2,5**