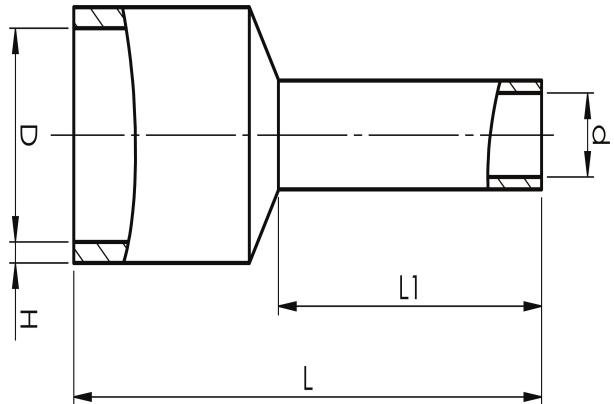
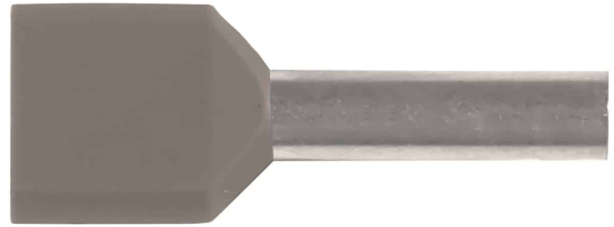


Pre-insulated TWIN-end terminals 2 x 0.5 - 2 x 10 mm², ET2, standard colour code

A0,75-12ET2

- ✓ Material: Cu 99.95%, tin plated Cu/Sn, CSA approved.
- ✓ Polypropylene insulation, colour code acc. to DIN46228.

Pre-insulated TWIN end terminal ET2, 0.75 mm².
Used with certified tool PEB0110T.



Item number: **7287-010800**

EAN: **7393487045989**

H (mm): **2.6**

d (mm): **1.8**

D (mm): **5,1**

L1 (mm): **12**

L (mm): **19**

s (mm) - strip length: **14**

Working temperature, Min (°C): **-5**

Working temperature, Max (°C): **105**

Insulation material: **PP**

Insulation colour: **Grey (end sleeves)**

Material: **Cu, Cu/Sn**

AWG/MCM Cu: **2x20 AWG**

mm² Cu: **2 x 0,75**