

Tube terminals 0.75 - 10 mm<sup>2</sup>

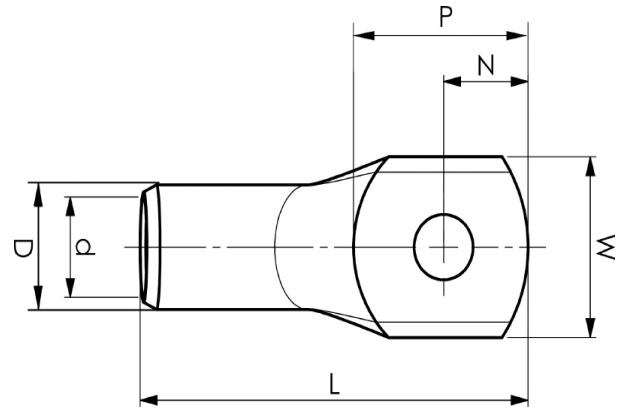
# KR10-6

- ✓ Material: Cu 99.95%, tin plated Cu/Sn.
- ✓ For multi-stranded (class 5) and stranded (class 2) Cu conductors.
- ✓ UL approved.
- ✓ With inspection holes.

## Examples of palm marking KR: 10-10

10 = mm<sup>2</sup> 10 = Palm hole for M10

Tube terminal for multi stranded (class 5) and stranded (class 2) Cu-conductors (acc. to IEC 60228), 10 mm<sup>2</sup>, with an M6 hole in the palm. Used with certified tool GWB4099 or ES2258.



Item number: **7301-011800**

EAN: **7393487005891**

W (mm): **11.5**

N (mm): **6**

N1 (mm): **7.5**

P (mm): **13.5**

d (mm): **5**

D (mm): **8**

L (mm): **29**

t (mm) - palm thickness: **3**

s (mm) - strip length: **11**

Screw: **M6**

Inspection hole: **Yes**

AWG/MCM Cu: **8 AWG**

mm<sup>2</sup> Cu: **10**