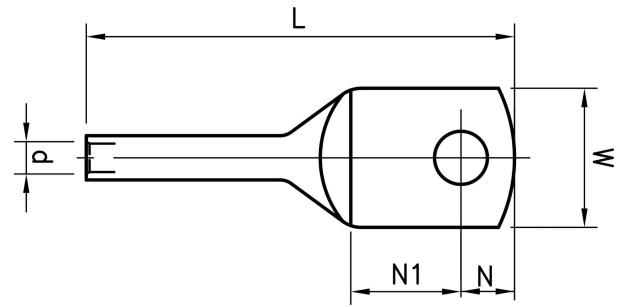


KRX tube terminals for Excel and Fxcel cable 10 - 16 mm²

KRX10-10

- ✓ Material: Cu 99.95%, tin plated Cu/Sn.
- ✓ Mounted pull-strain relieved.



Uninsulated tube terminal for Cu conductors 10 mm² solid (Excel) with an M10 hole in the palm.
Used with Elpress certified systems V600, V1300, V250.



Item number: **7301-111600**

EAN: **7393487017863**

W (mm): **22**

N (mm): **11.5**

N1 (mm): **18.5**

P (mm): **30**

d (mm): **4.5**

D (mm): **7**

L (mm): **72**

t (mm) - palm thickness: **3.5**

s (mm) - strip length: **30**

Screw: **M10**

AWG/MCM Cu: **8 AWG**

mm² Cu: **10**