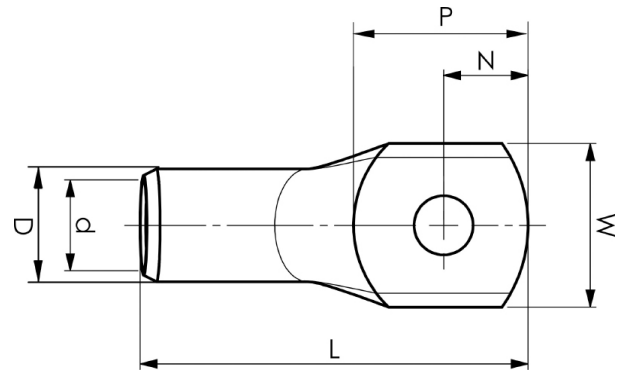


KRT tube terminals 10 - 500 mm<sup>2</sup>

# KRT95-16

- ✓ Material: Cu 99.95%, tin plated Cu/Sn.
- ✓ Inspection hole.
- ✓ For stranded (class 2) Cu conductors.



## Example of marking KRT: 16 (neck) Elpress logotype 70 10 (palm)

16 = Die No. 70 = mm<sup>2</sup> 10 = palm hole for M10

Tube terminal type KRT for stranded (class 2) Cu conductors, 95 mm<sup>2</sup>, with an M16 hole in the palm.

Used with Elpress certified systems V600, V1300 or V250.



Item number: **7301-278000**

EAN: **7393487007659**

W (mm): **28**

N (mm): **15**

N1 (mm): **16**

P (mm): **31**

d (mm): **13.5**

D (mm): **18**

L (mm): **69**

t (mm) - palm thickness: **4**

s (mm) - strip length: **26**

Screw: **M16**

Inspection hole: **Yes**

AWG/MCM Cu: **3/0 AWG**

mm<sup>2</sup> Cu: **95**