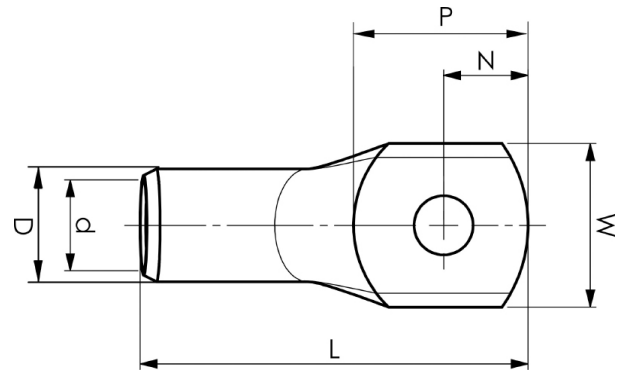


KRT tube terminals 10 - 500 mm²

KRT95-10

- ✓ Material: Cu 99.95%, tin plated Cu/Sn.
- ✓ Inspection hole.
- ✓ For stranded (class 2) Cu conductors.



Example of marking KRT: 16 (neck) Elpress logotype 70 10 (palm)

16 = Die No. 70 = mm² 10 = palm hole for M10

Tube terminal type KRT for stranded (class 2) Cu conductors, 95 mm², with an M10 hole in the palm.

Used with Elpress certified systems V600, V1300 or V250.



Item number: **7301-277800**

EAN: **7393487007635**

W (mm): **26**

N (mm): **11**

N1 (mm): **12**

P (mm): **23**

d (mm): **13.5**

D (mm): **18**

L (mm): **60**

t (mm) - palm thickness: **4.4**

s (mm) - strip length: **26**

Screw: **M10**

Inspection hole: **Yes**

AWG/MCM Cu: **3/0 AWG**

mm² Cu: **95**