

KRT tube terminals 10 - 500 mm²

KRT240-20

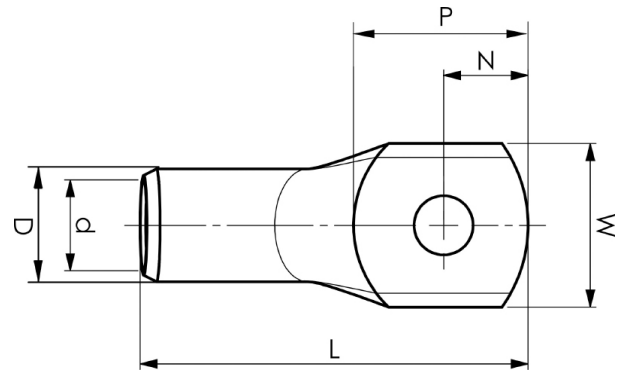
- ✓ Material: Cu 99.95%, tin plated Cu/Sn.
- ✓ Inspection hole.
- ✓ For stranded (class 2) Cu conductors.

Example of marking KRT: 16 (neck) Elpress logotype 70 10 (palm)

16 = Die No. 70 = mm² 10 = palm hole for M10
Tube terminal type KRT for stranded (class 2) Cu
conductors, 240 mm², with an M20 hole in the palm.
Used with Elpress certified systems V600, V1300 or
V250.



UK
CA



Item number: **7301-279200**

EAN: **7393487007772**

W (mm): **38**

N (mm): **19**

N1 (mm): **19**

P (mm): **38**

d (mm): **21**

D (mm): **26**

L (mm): **93**

t (mm) - palm thickness: **4.9**

s (mm) - strip length: **37**

Screw: **M20**

Inspection hole: **Yes**

AWG/MCM Cu: **450 MCM**

mm² Cu: **240**

ELPRESS