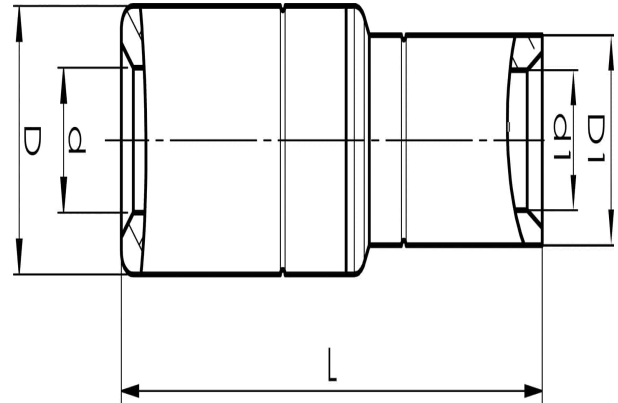


Aluminium-copper through connectors 16 - 500
mm²

AKS300-185

- ✓ Connector from Al conductor to Cu conductor.
- ✓ Stranded/solid Al conductors, stranded/multi-stranded Cu conductors.
- ✓ For multi-stranded Cu conductors, contact crimping using the Dual system is recommended.
- ✓ Two crimps are required for Al, normally one for Cu.

AlCu through connector, from Al conductor to Cu conductor. For stranded Al cable 300 mm² to the stranded/multi-stranded Cu cable 185 mm². When crimping the Cu section, place the dies between the mark on the sleeve and the edge of the Cu section. Used with Elpress certified system V250.



Item number: **7333-403500**

EAN: **7393487010024**

s1 (mm): **30**

d (mm): **22**

D (mm): **36**

L (mm): **123**

d1 (mm): **21**

D1 (mm): **27**

s (mm) - strip length: **83**

AWG/MCM Stranded Al: **550 MCM**

AWG/MCM Cu: **350 MCM**

mm² Stranded Al: **300**

mm² Cu: **185**