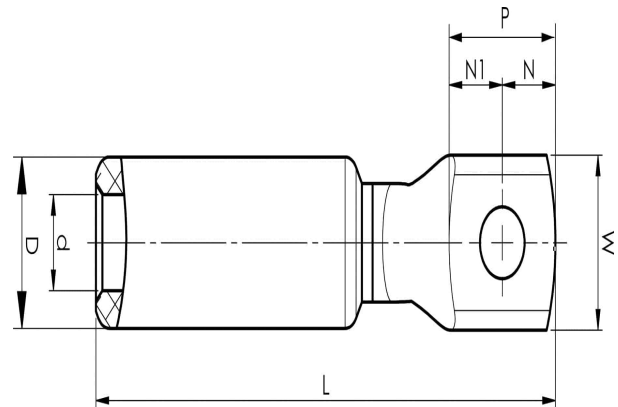
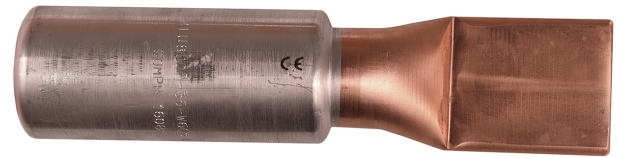


Aluminium-copper terminals 16 - 1200 mm²

AKK800-1

- ✓ Used for connection of Al conductors for apparatus outlets and busbars of Cu.
- ✓ Two crimps are needed.

AlCu terminal for stranded, compressed Al cable 800 mm², with undrilled palm. Used with Elpress certified system V1470.



Item number: **7332-440000**

EAN: **7393487020238**

W (mm): **62**

P (mm): **70**

d (mm): **36**

D (mm): **60**

L (mm): **263**

t (mm) - palm thickness: **12**

s (mm) - strip length: **129**

AWG/MCM Stranded Al: **1600 MCM**

mm² Stranded Al: **800**