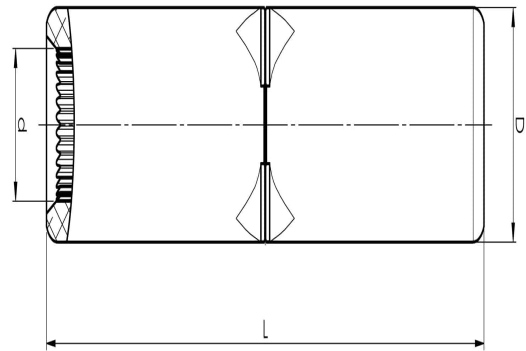


Aluminium through connectors with cable stop 300
- 400 mm²

AS300B

- ✓ Used primarily for splicing two Al conductors with the same area
- ✓ For the indented crimping of Al terminals, two crimps are always required.
- ✓ Use matrix 13P37M and drift 13P37D, no matrix holder is needed.

Al through connector with cable stop for stranded Al cable 300 mm². Used with Elpress certified system V1300.



Item number: **7313-446100**

EAN: **7393487078826**

d (mm): **22.5**

D (mm): **37**

L (mm): **150**

s (mm) - strip length: **65**

AWG/MCM Stranded Al: **550 MCM**

mm² Stranded Al: **300**