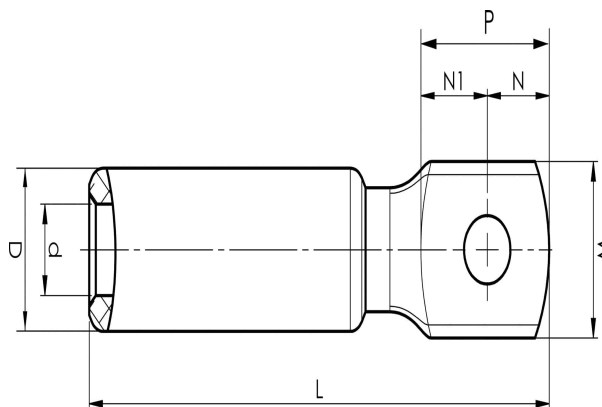


Aluminium terminals 16 - 1200 mm<sup>2</sup>

# AK70-10

- ✓ Used for connecting Al conductors to Al busbar.
- ✓ Two crimps are needed.

Al terminal for stranded Al cable 70 mm<sup>2</sup>, or for solid Al cable 95 mm<sup>2</sup> with an M10 hole in the palm. Used with Elpress certified systems V1300 or V250.



Item number: **7311-401800**

EAN: **7393487008793**

W (mm): **22**

N (mm): **11**

N1 (mm): **14**

P (mm): **25**

d (mm): **11.3**

D (mm): **20**

L (mm): **85**

t (mm) - palm thickness: **7.5**

s (mm) - strip length: **45**

Screw: **M10**

AWG/MCM Stranded Al: **2/0 AWG**

AWG/MCM Solid Al: **3/0 AWG**

mm<sup>2</sup> Stranded Al: **70**

mm<sup>2</sup> Solid Al: **95**