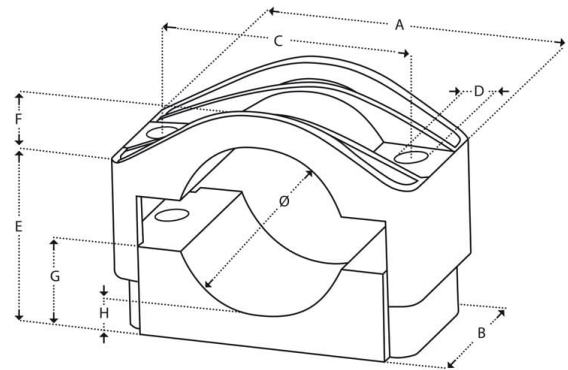


SE100-135

- ✓ Manufactured from polyamide (PA), glass fibre reinforced.
- ✓ Resistant to oils, UV, ozone, salt, moisture, acids and even nuclear radiation.
- ✓ UL94 self-extinguishing, Halogen-free.
- ✓ Temperature range from -40°C to 120°C.
- ✓ Mechanical resistance to short-circuits 12.000 N.
- ✓ Coloured black.



Tuotenumero: **8010-044800**

EAN: **7393487046726**