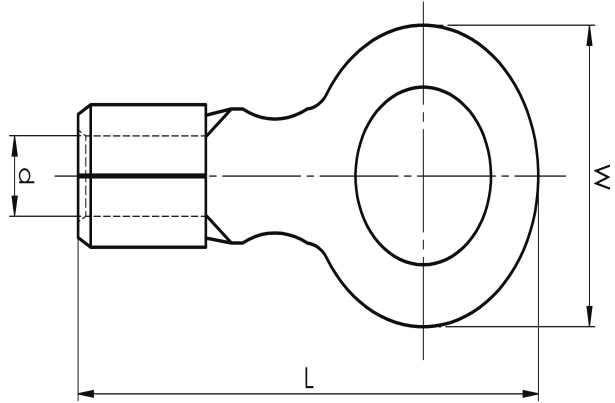
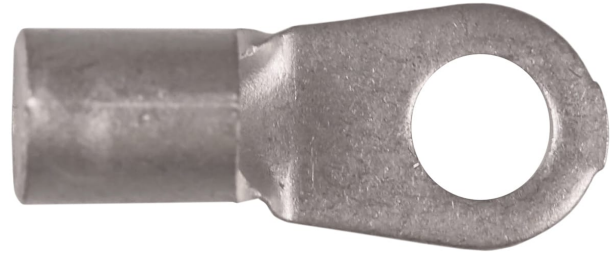


Ring terminal 0.25 - 6 mm<sup>2</sup>

# B2510R



Item number: **7258-061600**

EAN: **7393487003774**

W (mm): **16.5**

d (mm): **2.4**

L (mm): **25.75**

t (mm) - palm thickness: **0.7**

s (mm) - strip length: **8**

Screw: **M10**

Neck type: **Brazed**

AWG/MCM Cu: **16 - 14 AWG**

mm<sup>2</sup> Cu: **1,5-2,5**