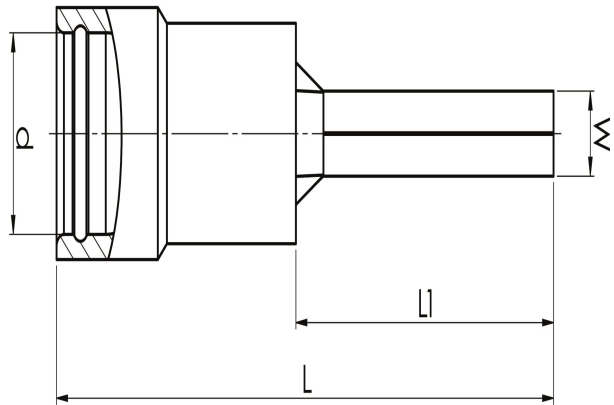
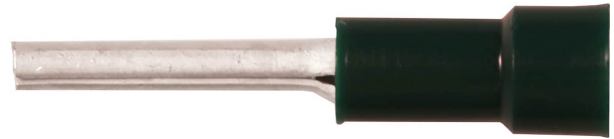


Pin terminals 0.1 - 6 mm²

A0819SRK

- ✓ Material: Cu 99.95%, tin plated Cu/Sn, brazed neck.
- ✓ Insulation halogen-free PC, Easy-entry.

Pre-insulated pin terminal for 0.25-0.75 mm² cable.
Used with certified tool DSA0115.



Item number: **7278-052000**
EAN: **7393487004139**

W (mm): **1.8**
d (mm): **3.2**
L1 (mm): **8.5**
L (mm): **18.5**
s (mm) - strip length: **7**

Insulation material: **PC**
Insulation colour: **Green (insulated terminals)**
Material: **Cu, Cu/Sn**
Easy-entry: **Yes**

AWG/MCM Cu: **24 - 18 AWG**
mm² Cu: **0,25-0,75**