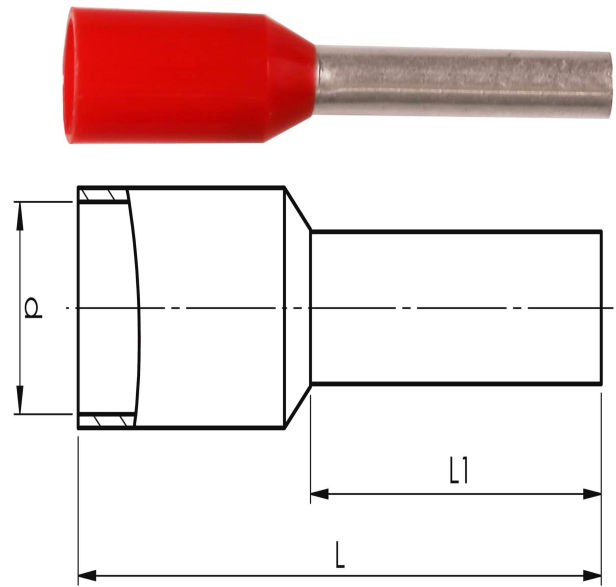


Pre-insulated end terminals 0.14 - 95 mm<sup>2</sup> ETD,  
alternative colour

# A1-6ETD

- ✓ Material: Cu 99.95%, tin plated Cu/Sn, CSA approved.
- ✓ Polypropylene insulation, colour code DIN46228.

Pre-insulated end terminal ETD, 1 mm<sup>2</sup>. Used with certified tool PEB0110T.



Item number: **7287-012600**

EAN: **7393487045682**

d (mm): **3**

L1 (mm): **6**

L (mm): **12**

s (mm) - strip length: **8**

Working temperature, Min (°C): **-5**

Working temperature, Max (°C): **105**

Insulation material: **PP**

Insulation colour: **Red (end sleeves)**

Material: **Cu, Cu/Sn**

AWG/MCM Cu: **18 AWG**

mm<sup>2</sup> Cu: **1**