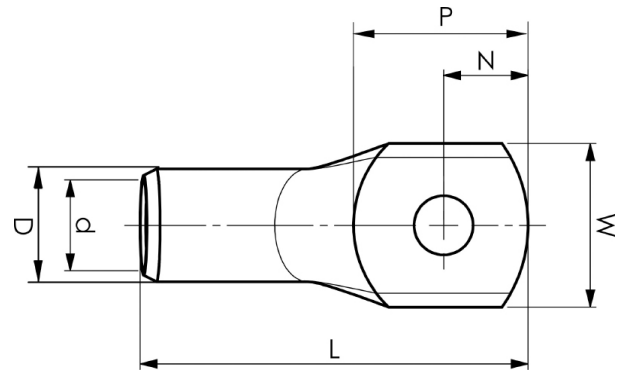


KRT tube terminals 10 - 500 mm<sup>2</sup>

# KRT16-6

- ✓ Material: Cu 99.95%, tin plated Cu/Sn.
- ✓ Inspection hole.
- ✓ For stranded (class 2) Cu conductors.



## Example of marking KRT: 16 (neck) Elpress logotype 70 10 (palm)

16 = Die No. 70 = mm<sup>2</sup> 10 = palm hole for M10

Tube terminal type KRT for stranded (class 2) Cu  
conductors, 16 mm<sup>2</sup>, with an M6 hole in the palm.

Used with Elpress certified systems V600, V1300 or  
V250.



Item number: **7301-275700**

EAN: **7393487007420**

W (mm): **12**

N (mm): **6**

N1 (mm): **8**

P (mm): **14**

d (mm): **5.5**

D (mm): **8,5**

L (mm): **34**

t (mm) - palm thickness: **2.9**

s (mm) - strip length: **15**

Screw: **M6**

Inspection hole: **Yes**

AWG/MCM Cu: **6 AWG**

mm<sup>2</sup> Cu: **16**