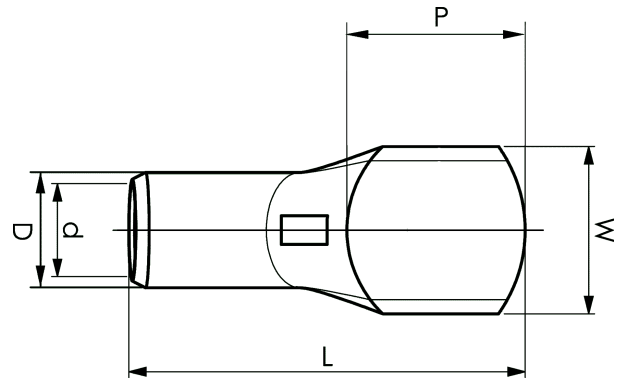


KRF tube terminals 16 - 800 mm<sup>2</sup>

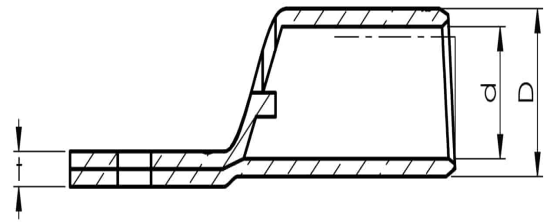
# KRF500-00

- ✓ Material: Cu 99.95%, tin plated Cu/Sn.
- ✓ With inspection holes.
- ✓ For stranded (class 2), multi-stranded (class 5) and very flexible (class 6) Cu conductors according to IEC 60228.



## Example of marking KRF: 17 (neck) Elpress logotype 70 10F (palm)

17 = Die No. 70 = mm<sup>2</sup> 10 = palm hole for M10 F = type KRF for stranded, flexible and very flexible conductors.



Item number: **7301-230000**

EAN: **7393487006515**

W (mm): **61**

P (mm): **70**

f (mm): **2.5**

d (mm): **33**

D (mm): **42**

L (mm): **160**

t (mm) - palm thickness: **8.8**

s (mm) - strip length: **70**

Inspection hole: **Yes**

AWG/MCM Cu: **950 MCM**

mm<sup>2</sup> Cu: **500**

**ELPRESS**