

KRF angled terminals 90°, 10 - 185 mm²

KR10-6-90GR

- ✓ Material: Cu 99.95%, tin plated Cu/Sn.
- ✓ Inspection hole.
- ✓ For stranded (class 2) and multi-stranded (class 5) Cu conductors, for multi-stranded Cu conductors contact crimping using the Dual system is recommended.



Example of marking KRF: 17 (neck) Elpress logo 70 10F (palm)

17 = Die No. 70 = mm² 10 = palm hole for M10 F = type KRF for stranded and flexible conductors.

Angled tube terminal 90° for multi-stranded (class 5) and stranded (class 2) Cu conductors (acc. to IEC 60228), 10 mm², with an M6 hole in the palm. Used with Elpress certified systems V600, V1300, V250.

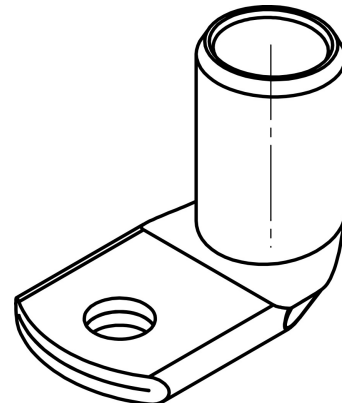
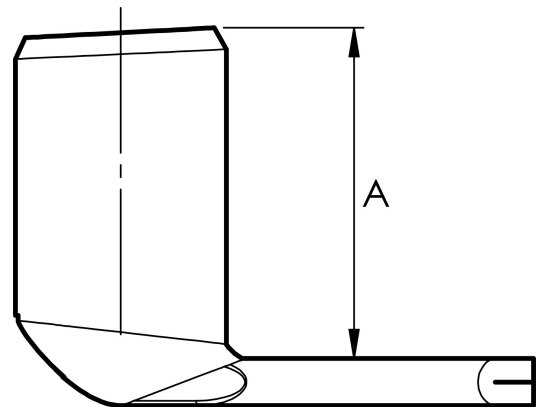
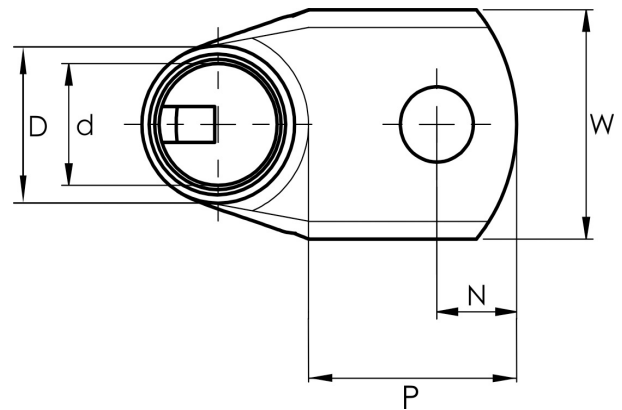


Item number: **7301-114200**
EAN: **7393487016309**

A (mm): **15**
W (mm): **13**
N (mm): **6.5**
N1 (mm): **11.5**
P (mm): **18**
d (mm): **5**
D (mm): **8**
t (mm) - palm thickness: **2.3**
s (mm) - strip length: **11**

Screw: **M6**
Angle (°): **90**
Inspection hole: **Yes**

AWG/MCM Cu: **8 AWG**
mm² Cu: **10**



ELPRESS