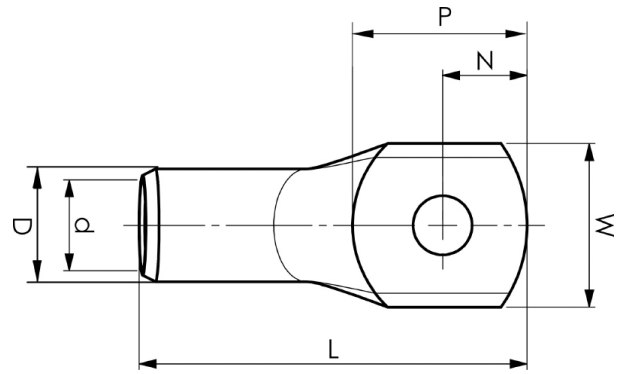


KRD tube terminals 16 - 1000 mm<sup>2</sup>

# KRD300-24

- ✓ Material: Cu 99.95%, tin plated Cu/Sn.
- ✓ Inspection hole.
- ✓ For stranded (class 2) Cu conductors.



## Example of marking KRD: 14 (neck) Elpress logotype 70 10 (palm)

14 = Die No. 70 = mm<sup>2</sup> 10 = palm hole for M10  
Tube terminal type KRD for stranded (class 2) Cu  
conductors, 300 mm<sup>2</sup>, with an M24 hole in the palm.  
Used with Elpress certified systems V1300 or V250.



Item number: **7301-103200**

EAN: **7393487022225**

W (mm): **44**

N (mm): **22**

N1 (mm): **24**

P (mm): **46**

f (mm): **1**

d (mm): **24**

D (mm): **30**

L (mm): **108**

t (mm) - palm thickness: **5.8**

s (mm) - strip length: **42**

Screw: **M24**

Inspection hole: **Yes**

AWG/MCM Cu: **550 MCM**

mm<sup>2</sup> Cu: **300**