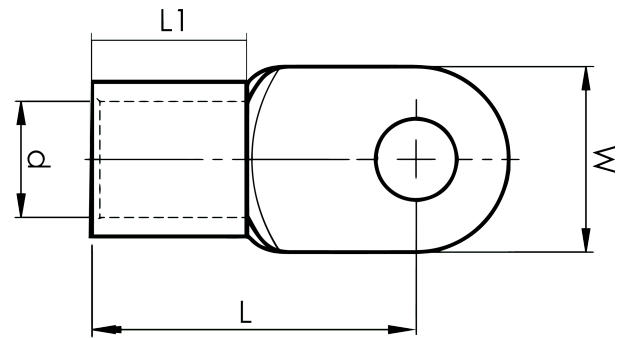


DIN 46234 sheet metal terminals 10 - 185 mm<sup>2</sup>

# B50-12R

- ✓ dimensions according to DIN 46234
- ✓ material: 99.9% Cu, tin plated (Cu/Sn)



Sheet metal terminal for 50 mm<sup>2</sup> copper conductors with an M12 hole in the palm. Used with Elpress certified systems V600, V1300 or V250.



Item number: **7258-267900**  
EAN: **7393487018693**

W (mm): **22**  
d (mm): **11**  
L1 (mm): **16**  
L (mm): **36**  
t (mm) - palm thickness: **1.8**

Screw: **M12**  
Marking: **50**

AWG/MCM Cu: **1/0 AWG**  
mm<sup>2</sup> Cu: **50**