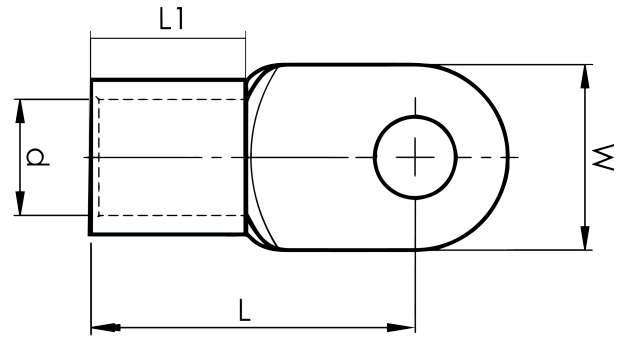


DIN 46234 sheet metal terminals 10 - 185 mm²

B185-16R

- ✓ dimensions according to DIN 46234
- ✓ material: 99.9% Cu, tin plated (Cu/Sn)

Sheet metal terminal for 185 mm² copper conductors with an M16 hole in the palm. Used with Elpress certified systems V1300 or V250.



Item number: **7258-269400**
EAN: **7393487018846**

W (mm): **36**
d (mm): **21**
L1 (mm): **28**
L (mm): **50**
t (mm) - palm thickness: **3.5**

Screw: **M16**
Marking: **185**

AWG/MCM Cu: **350 MCM**
mm² Cu: **185**