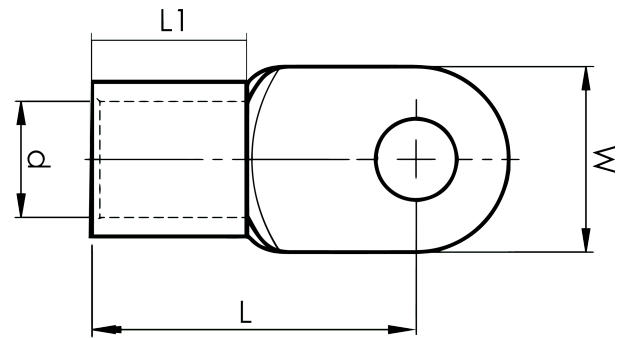


DIN 46234 sheet metal terminals 10 - 185 mm<sup>2</sup>

# B10-12R

- ✓ dimensions according to DIN 46234
- ✓ material: 99.9% Cu, tin plated (Cu/Sn)



Sheet metal terminal for 10 mm<sup>2</sup> copper conductors with an M12 hole in the palm. Used with Elpress certified systems V600, V1300 or V250.



Item number: **7258-265900**  
EAN: **7393487018495**

W (mm): **22**  
d (mm): **4.5**  
L1 (mm): **8**  
L (mm): **23**  
t (mm) - palm thickness: **1.1**

Screw: **M12**  
Marking: **10**

AWG/MCM Cu: **8 AWG**  
mm<sup>2</sup> Cu: **10**