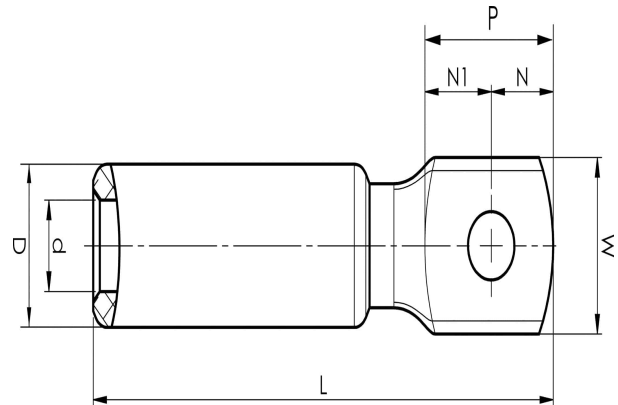


Aluminium terminals 16 - 1200 mm²

AK185-12

- ✓ Used for connecting Al conductors to Al busbar.
- ✓ Two crimps are needed.

Al terminal for stranded Al cable 185 mm², or for solid Al cable 240 mm² with an M12 hole in the palm. Used with Elpress certified systems V1300 or V250.



Item number: **7311-403500**

EAN: **7393487008885**

W (mm): **35**

N (mm): **16**

N1 (mm): **18.5**

P (mm): **34.5**

d (mm): **17.6**

D (mm): **32**

L (mm): **113**

t (mm) - palm thickness: **13**

s (mm) - strip length: **61**

Screw: **M12**

AWG/MCM Stranded Al: **350 MCM**

AWG/MCM Solid Al: **450 MCM**

mm² Stranded Al: **185**

mm² Solid Al: **240**