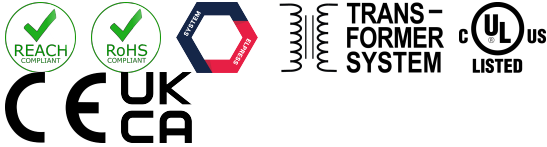
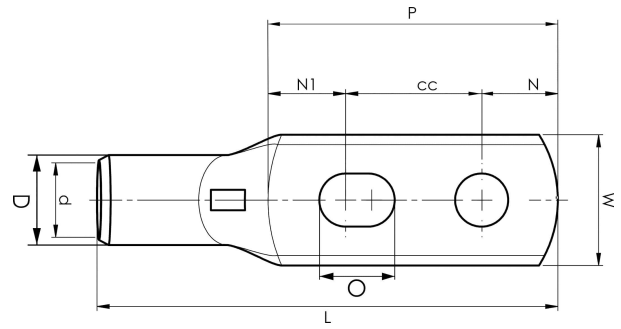


Tube terminals with two stud holes (one oval) 50 -
240 mm²

KRF95-10X2- 24-26L



Item number: **7301-489600**

EAN: **7393487060159**

W (mm): **29**

N (mm): **11**

N1 (mm): **19**

P (mm): **55**

cc (mm): **25**

O (mm): **12.5**

d (mm): **15**

D (mm): **20**

L (mm): **93**

t (mm) - palm thickness: **4.9**

s (mm) - strip length: **25**

Screw: **M10x2**

Inspection hole: **Yes**

AWG/MCM Cu: **3/0 AWG**

mm² Cu: **95**

Winding (mm²): **113-161**