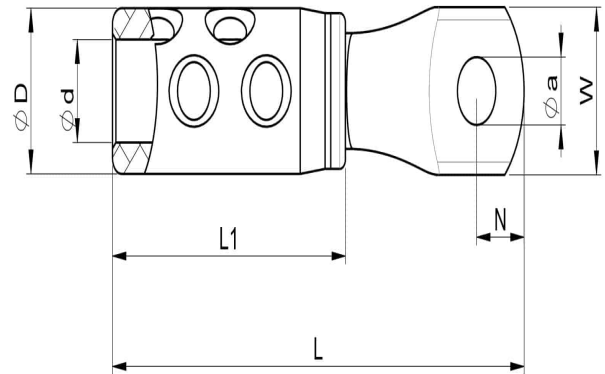
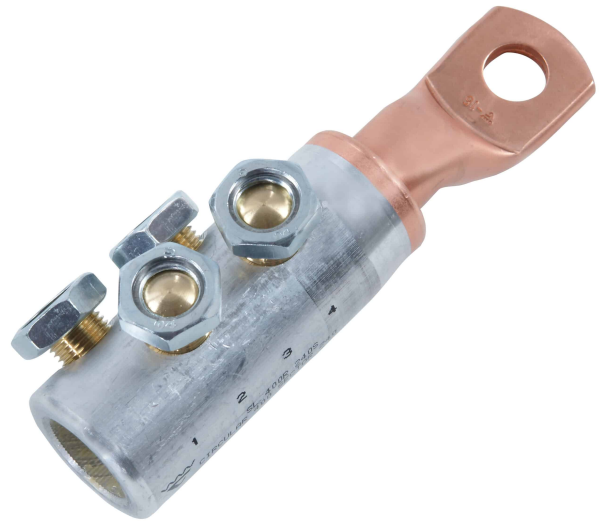


Shearbolt terminals 10 - 630 mm<sup>2</sup> (reversible screw)

# SL400R240S- 16

- ✓ shearbolt material: brass for minimum friction
- ✓ reversible shear-off shearbolts
- ✓ voltage range 1-36 kV
- ✓ meets the requirements of IEC standard 61238-1:2003
- ✓ the terminals are of the bimetallic type for best functionality

Shearbolt terminal 1-36 kV that is suitable for both Al and Cu class 1 and class 2 cable, with an M16 hole in the palm. Round cable 300-400 mm<sup>2</sup>, sector shaped cable 240 mm<sup>2</sup>.



Item number: **7334-010900**

EAN: **7393487033252**

a (mm): **16**

W (mm): **41.5**

N (mm): **21**

d (mm): **25.8**

D (mm): **41,5**

L1 (mm): **103**

L (mm): **182**

t (mm) - palm thickness: **9.6**

s (mm) - strip length: **97**

Screw: **M16**

Max voltage (kV): **36**

Cable type Round (mm<sup>2</sup>): **300-400**

Cable type Sector (mm<sup>2</sup>): **240**

