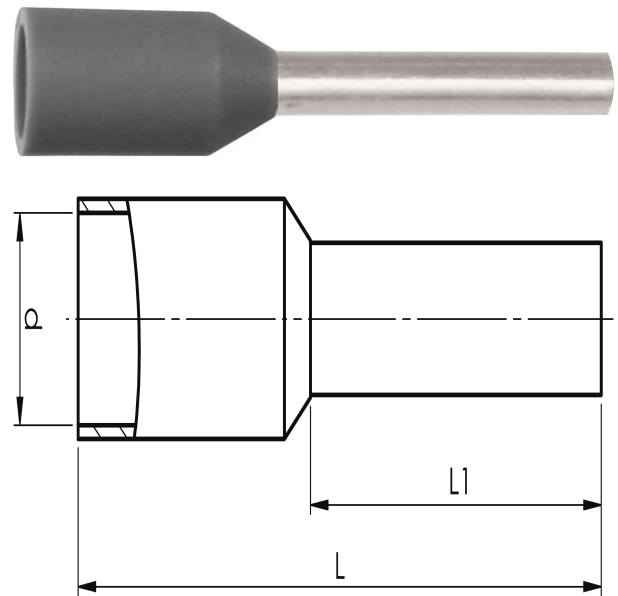


Pre-insulated end terminals 0.14 - 95 mm² ETT,
alternative colour

A0,14-8ETT

- Material: Cu 99.95%, tin plated Cu/Sn, CSA approved.
- Polypropylene insulation, colour code T.

Pre-insulated end terminal ETT, 0.14 mm². Used with certified tool PEB0110T.



Item number: **7287-019500**

EAN: **7393487045842**

d (mm): **1.9**

L1 (mm): **8**

L (mm): **12**

s (mm) - strip length: **10**

Working temperature, Min (°C): **-5**

Working temperature, Max (°C): **105**

Insulation material: **PP**

Insulation colour: **Brown (end sleeves)**

Material: **Cu, Cu/Sn**

AWG/MCM Cu: **26 AWG**

mm² Cu: **0,14**